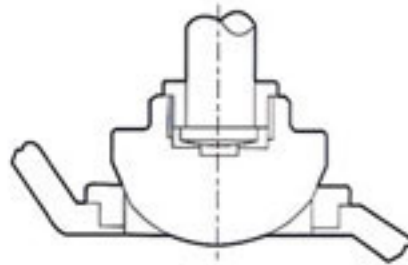
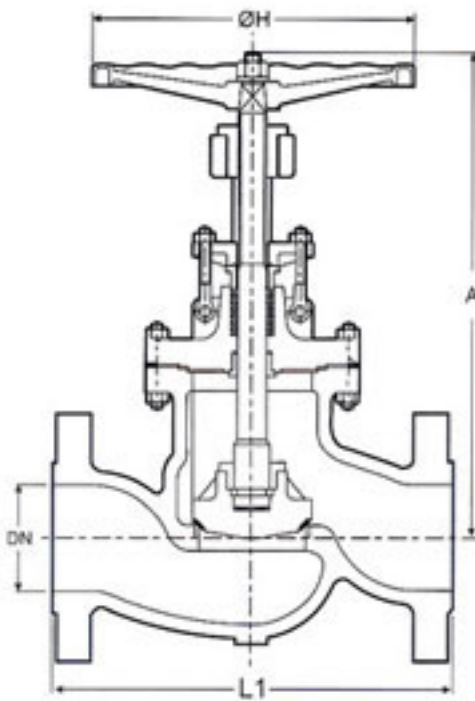
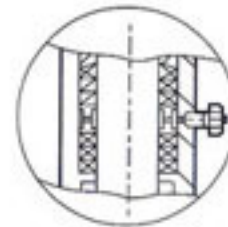


GLOBE VALVES



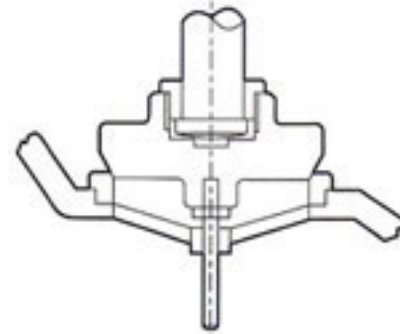
Parabolic Plug



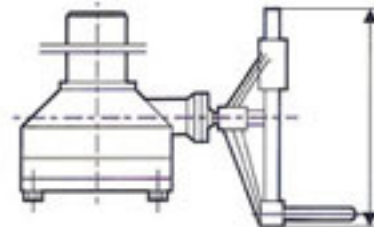
Vacuum Seal Arrangement



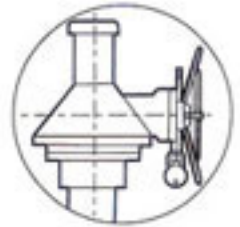
Locking Arrangement



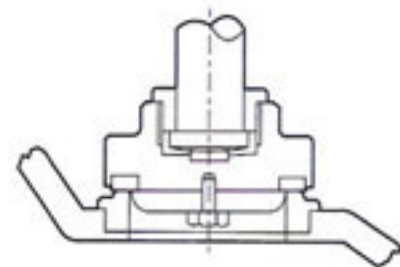
Guided Plug
Sizes >6"



Gear Box



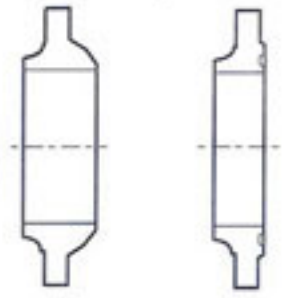
Locking Arrangement



Soft Seated Plug



Electrical Actuator



Butt-weld end L2 RTJ L3

Class 150/ 300/ 600/ 900/ 1500/ 2500

MATERIALS OF CONSTRUCTION

DESCRIPTION	WCB	LCB	CF8M	WC6 / WC9 / C5
BODY (1)	ASTM A 216 Gr. WCB	ASTM A 352 Gr. LCB	ASTM A 351 Gr. CF8M	ASTM A Gr. WC6 / WC9 / C5
SEAT RING (2, 3)	WCB + 13% Cr. STEEL/ A 217 Gr. CA 15	A 351 Gr. CF8	A 351 Gr. CF8M / INTEGRAL	A 217 Gr. CA 15
PLUG (2, 3)	WCB + 13% Cr. STEEL/ A 217 Gr. CA 15 / AISI 410	LCB A 351 Gr. CF8	A 276 TP 316 / A 351 Gr. CF8M	A 217 Gr. CA 15 / AISI 410
STEM (2)	A 276 TP 410	A 276 TP 304	A 276 TP 316	A 276 TP 410
GASKET (2)	SW SS + CAF	SW SS + GRAPHITE	SW SS + GRAPHITE	SW SS + GRAPHITE
BONNET (1)	A 216 Gr. WCB	A 352 Gr. LCB	A 351 Gr. CF8M	A 216 Gr. WC6 / WC9 / C5
JOINT STUDS & NUTS	A 193 Gr. B7 & A 194 Gr. 2H	A 320 Gr. L7 & A 194 Gr. 4 / 7	A 193 Gr. B7 & A 194 Gr. 2H	A 193 Gr. B16 & A 194 Gr. 4 / 7
BONNET BUSH (2)	A 276 TP 410	A 276 TP 304	A 276 TP 316	A 276 TP 410
GLAND PACKING	GRAPHITED ASBESTOS RINGS	GRAPHITE RINGS	GRAPHITE RINGS	GRAPHITE RINGS
GLAND BUSH (2)	A 276 TP 410	A 276 TP 304	A 276 TP 316 (INTEGRAL)	A 276 TP 410
GLAND FLANGE	A 105	A 182 F304	A 182 F316	A 182 F5
CROSS BOLTS & NUTS	A 307 Gr. B & A 563 Gr. A	A 307 Gr. B & A 563 Gr. A	A 307 Gr. B & A 563 Gr. A	A 307 Gr. B & A 563 Gr. A
EYE BOLTS & NUTS	A 307 Gr. B & A 563 Gr. A	A 307 Gr. B & A 563 Gr. A	A 307 Gr. B & A 563 Gr. A	A 307 Gr. B & A 563 Gr. A
YOKE BUSH	A 439 Gr. D2	A 439 Gr. D2	A 439 Gr. D2	A 439 Gr. D2
HAND WHEEL	MALLEABLE IRON/ DUCTILE IRON	MALLEABLE IRON/ DUCTILE IRON	MALLEABLE IRON/ DUCTILE IRON	MALLEABLE IRON/ DUCTILE IRON

Also Available

- (1) Casting in **WCC, LCC, CF8, CF3, CF8C, CN7M, C12, DUPLEX SS, HASTALLOY, MONEL**, also provided against requirement.
- (2) With different combination for WCB valves.
- (3) Special features like Stelling.



DESIGN FEATURES :

- Design Standard as per BS 1873 / B 16.34
- ISO 15761(½" to 1 ½" Flanged End)
- Flange details as per ASME B 16.5.
- Butt weld ends dimension as per ASME B 16.25.
- Face to face dimension as per ASME B 16.10 / BS 2080.
- Testing Standard as per BSEN 12266
- Threaded seat ring provided up to 6".
- Seal welded seat rings provided for valves 8" & above.
- Parabolic plug, regulating plug, skirted plug & guided plug design.
- Rising stem & rising hand wheel construction.
- Non-rising hand wheel construction against request.
- Tongue & groove for spiral wound gasket design for 300#, 600#, 900#, 1500#, 2500# Gate Valves, against request
- Extended stem can be provided on request.

SPECIAL FEATURES :

- With Gear operation If the applied force exceeds 350 N
- With Limit Switch arrangements for Open and Close position
- With Electrical / pneumatic actuators
- With Lantern ring arrangement for Vacuum services.
- With Stelling
- With IBR Certification
- With NACE MR 0175
- With Position indicators.
- Locking arrangement

TOLERANCES :-

- A) Face to Face : +/- 2.0mm upto NPS 10" and smaller,
+/- 3mm for NPS 12 & larger

FACE TO FACE / END-TO-END DIMENSIONS FOR GLOBE VALVES

(Class 150, 300, 600, 900, 1500 & 2500)

CLASS 150	NPS in	½"	¾"	1"	1 ¼"	2"	2 ½"	3"	4"	5"	6"	8"	10"	12"	14"	16"
	DN mm	15	20	25	40	50	65	80	100	125	150	200	250	300	350	400
L1 (RF)	108	117.5	127	165.1	203	216	241	292	356	406	495	622	699	787	914	
L2 (BWE)	-	-	-	-	203	216	241	292	356	406	495	622	699	787	914	
L3 (RTJ)	-	-	-	-	216	229	254	305	368	419	508	635	711	800	927	
ΦH	86	86	86	152	200	250	250	300	350	350	400	500	500	560	650	
A	184	185	236	282	338	373	396	476	497	524	588	738	862	950	994	
WT. IN KG	F/E	4.5	5.5	7.5	17	21	28	35	58	82	100	160	253	398	550	724
	E	-	-	-	-	17	20	27	47	71	86	138	219	362	491	650

CLASS 300	NPS in	½"	¾"	1"	1 ¼"	2"	2 ½"	3"	4"	5"	6"	8"	10"	12"	14"	16"
	DN mm	15	20	25	40	50	65	80	100	-	150	200	250	300	350	400
L1 (RF)	152.4	177.8	203.2	229	267	292	318	356	-	445	559	622	711	838	884	
L2 (BWE)	-	-	-	-	267	292	318	356	-	445	559	622	711	838	884	
L3 (RTJ)	-	-	-	-	283	308	333	371	-	460	575	638	727	854	879	
ΦH	90	95	95	152	200	250	250	350	-	500	560	600	650	610	610	
A	184	186	237	282	353.5	388.5	420.5	495.5	-	674.5	911.5	949	1032	1130	1310	
WT. IN KG	F/E	7	8	12	19	25	38	49	76	-	168	282	385	724	1125	1650
	E	-	-	-	-	19	29	38	58	-	137	237	319	632	975	1450

CLASS 600	NPS in	½"	¾"	1"	1 ¼"	2"	2 ½"	3"	4"	5"	6"	8"	10"	12"	14"	16"
	DN mm	15	20	25	40	50	65	80	100	-	150	200	250	300	350	400
L1 (RF)	165.1	190.5	215.9	241.3	292	330	356	432	-	559	660	787	838	889	991	
L2 (BWE)	-	-	-	-	292	330	356	432	-	559	660	787	838	889	991	
L3 (RTJ)	-	-	-	-	295	333	359	435	-	562	663	790	841	292	994	
ΦH	90	95	95	152	250	250	350	450	-	560	600	700	610	610	762	
A	184	185	236	283	396.5	446	495.5	599	-	791	1014	1180	1397	1450	1610	
WT. IN KG	F/E	9.5	10.5	16.5	21	36	50	78	120	-	284	543	700	900	1620	2160
	E	-	-	-	-	29	40	64	91	-	227	460	562	739	1330	1760

CLASS 900	NPS in	½"	¾"	1"	1 ¼"	2"	2 ½"	3"	4"	5"	6"	8"	10"	12"	14"	16"
	DN mm	15	20	25	40	50	65	80	100	-	150	200	250	300	350	-
L1 (RF)	216	229	254	305	368	419	381	457	-	610	737	838	965	1029	-	
L2 (BWE)	216	229	254	305	368	419	381	457	-	610	737	838	965	1029	-	
L3 (RTJ)	-	-	-	-	371	422	384	460	-	613	740	841	968	1038	-	
ΦH	110	-	-	-	350	350	450	500	-	610	610	610	610	760	-	
A	260	-	-	-	590	660	699	781	-	1400	1500	1600	1705	2210	-	
WT. IN KG	F/E	11	-	-	-	110	155	190	280	-	630	1350	2050	2650	3650	-
	E	-	-	-	-	80	120	155	230	-	540	1200	1870	2400	3350	-

CLASS 1500	NPS in	½"	¾"	1"	1 ¼"	2"	2 ½"	3"	4"	5"	6"	8"	10"	12"	14"	16"
	DN mm	15	20	25	40	50	65	80	100	-	150	200	250	300	350	-
L1 (RF)	216	229	254	305	368	419	470	546	-	705	832	991	1130	1257	-	
L2 (BWE)	216	229	254	305	368	419	470	546	-	705	832	991	1130	1257	-	
L3 (RTJ)	-	-	-	-	371	422	473	549	-	711	841	1000	1146	1276	-	
ΦH	110	130	130	250	350	350	500	560	-	610	610	760	760	760	-	
A	260	300	300	390	590	660	850	920	-	1700	1960	2310	2670	3200	-	
WT. IN KG	F/E	11	16	19.5	34	110	155	230	400	-	910	2100	3200	4400	5400	-
	E	-	-	-	-	80	120	185	330	-	790	1900	2800	3800	4700	-

CLASS 2500	NPS in	½"	¾"	1"	1 ¼"	2"	2 ½"	3"	4"	5"	6"	8"	10"	12"	14"	16"
	DN mm	15	20	25	40	50	65	80	100	-	150	200	250	300	-	-
L1 (RF)	264	273	308	384	451	508	578	673	-	914	1022	1270	1422	-	-	
L2 (BWE)	264	273	308	384	451	508	578	673	-	914	1022	1270	1422	-	-	
L3 (RTJ)	-	-	-	387	454	514	584	683	-	927	1038	1292	1445	-	-	
ΦH	130	130	250	300	400	500	560	610	-	610	610	760	760	-	-	
A	332	332	370	435	720	800	885	1260	-	1905	2465	2800	3505	-	-	
WT. IN KG	F/E	19	21	40	62	190	300	350	840	-	2300	4800	6800	8500	-	-
	E	-	-	-	-	160	240	280	690	-	2000	4400	6000	7500	-	-

* - Supplied only with Flanged end connections.
Sizes not covered in above standards are as per manufacturer standard.