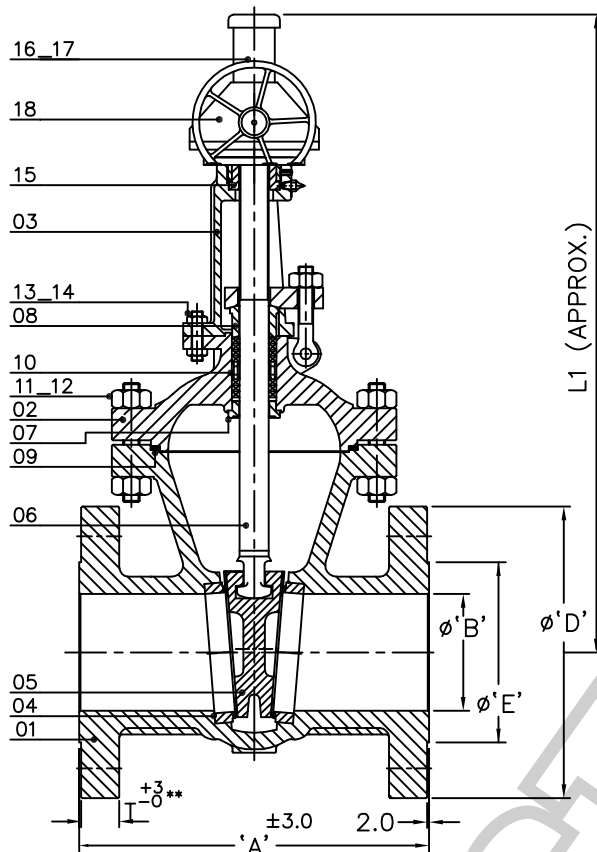


Customer: M/s.
 PROJECT: M/s.
 P.O.No.: _____ Date: _____
 W.O.No.: _____ Date: _____



CAST STEEL 300# GATE VALVES

DWG.NO.: - SDGTV300_300-600GO REV.: -00



PART NO.	PART NAME	MATERIAL									QTY
01	BODY	WCB	CF8	CF8M	CF3M	WC6	WC9	C5/C12	LCB		1
02	BONNET	WCB	CF8	CF8M	CF3M	WC6	WC9	C5/C12	LCB		1
03	YOKE	WCB	CF8	CF8M	CF3M	WC6	WC9	C5/C12	LCB		1
04	BODY SEAT	#	*	*	*	#	#	#	#	CF8	2
05	WEDGE SEAT	#	CF8	CF8M	CF3M	#	#	#	#	CF8	1
06	STEM	SS410	SS304	SS316	SS316L	SS410	SS410	SS410	SS304		1
07	BACKSEAT	SS410	*	*	*	SS410	SS410	SS410	SS304		1
08	GLAND BUSH	SS410	SS304	SS316	SS316L	SS410	SS410	SS410	SS304		1
09	GASKET	SPIRAL WOUND SS304 + GRAFOIL		SPIRAL WOUND SS316 + GRAFOIL		SPIRAL WOUND + GRAFOIL		SS304	SP.W SS304+ GRAFOIL		1
10	PACKING	GRAFOIL				GRAFOIL			GRAFOIL	AS REQ.	
11	BODY STUD	ASTM A 193 Gr. B7				ASTM A 193 Gr. B16			L7	AS REQ.	
12	BODY STUD NUT	ASTM A 194 Gr. 2H				ASTM A 194 Gr. 7			L7	AS REQ.	
13	YOKE STUD	ASTM A 193 Gr. B7				ASTM A 193 Gr. B16			L7	AS REQ.	
14	YOKE STUD NUT	ASTM A 194 Gr. 2H				ASTM A 194 Gr. 7			L7	AS REQ.	
15	YOKE SLEEVE	ASTM A 439 Gr. D2									1
16	HANDWHEEL	MALLEABLE IRON									1
17	HANDWHEEL NUT	CARBON STEEL									1
18	GEAR BOX	SSV MAKE									1

NOTE: Face to face as per ASME B 16.10.(2009)

Flanged end as per ASME B 16.5.(2009)

(RF 125-250 AARH)

BODY MATERIAL + 13 % Cr. FACING.

* INTEGRAL - BODY SEAT & BACKSEAT

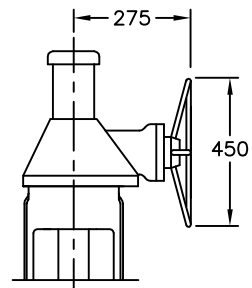
** FOR T, SIZE 20" & ABOVE +5, -0

UNSPECIFIED MATERIAL CONFIRM AS PER

API 600 (ISO10434) /MANUFACTURER

DESIGN STD.: API 600-2001 (ISO 10434:1998)

CLASS		300					
SIZE / NB		12"/300	14"/350	16"/400	18"/450	20"/500	24"/600
A		502	762	838	914	991	1143
B(min.)		304.8	336.6	387.4	431.8	482.6	584.2
D		520	585	650	710	775	915
E		381	412.8	469.9	533.4	584.2	692.2
L1		1444	1625	1865	1990	2145	2610
T		49.3	52.4	55.6	58.8	62.0	68.3
FLANGE DRILLING	B.C.	450.8	514.4	571.5	628.6	685.7	812.8
	DIA.	31.8	31.8	34.9	34.9	34.9	41.3
	Nos.	16	20	20	24	24	24
WT. IN KG.(APPROX.)		697	852	1238	1450	1935	2698
QTY Nos.		-	-	-	-	-	-



SPECIAL TRIM REQUIREMENTS			YES	NO
04	BODY SEAT	STELLITED		
04&05	BODY SEAT & WEDGE SEAT	STELLITED		

MATERIAL GRADE	WCB	CF8	CF8M	CF3M	WC6	WC9	C5	C12	LCB	SS.410	SS.316	SS316L	L7
ASTM NO	A216	A351	A351	A351	A217	A217	A217	A217	A352	A276	A276	A276	A320

TEST STD.: API598/BSEN 12266-1

TEST PRESSURE		PSIG	Kg/cm ²
HYDROSTATIC	SHELL	1125	79
	SEAT BACK SEAT	825	58
PNEUMATIC	SEAT	80	6

STEEL STRONG - APPROVED BY , ISO 9001-2008, (C & S) MARKING

API 6D-0315

ALL DIMENSIONS ARE IN MM UNLESS SPECIFIED

REV. 00
Date: 01/07/2011

APPROVED BY C. S. Das

FOR APPROVAL

FOR REFERENCE