

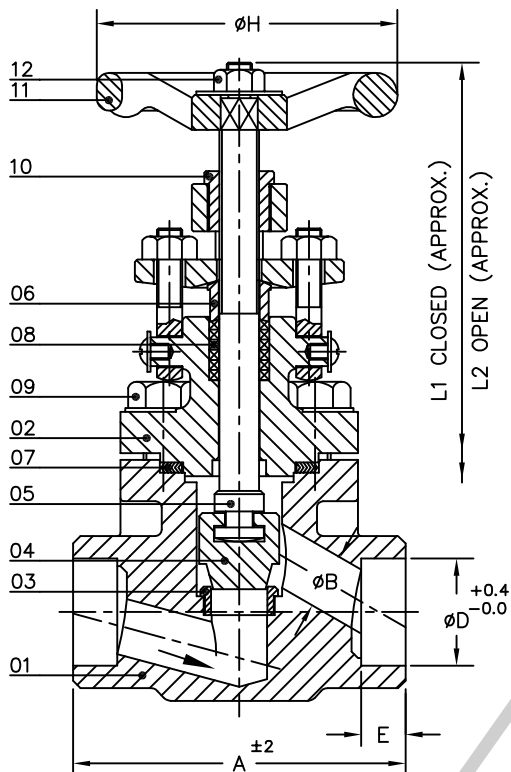
Customer: M/s.
 PROJECT: M/s.
 P.O.No.: _____ Date: _____
 W.O.No.: _____ Date: _____



**FORGED STEEL 2500#
 GLOBE VALVES**

DWG.NO.: - SDGBV2500 REV.: -00

PART NO.	PART NAME	MATERIAL									QTY	
01	BODY	A105	F304	F304L	F316	F316L	F5/F11	F22	LF2		1	
02	BONNET	A105	F304	F304L	F316	F316L	F5/F11	F22	LF2		1	
03	SEAT RING	SS410	SS304	SS304L	SS316	SS316L	SS410	SS410	SS304		1	
04	PLUG	SS410	SS304	SS304L	SS316	SS316L	SS410	SS410	SS304		1	
05	STEM	SS410	SS304	SS304L	SS316	SS316L	SS410	SS410	SS304		1	
06	GLAND BUSH	SS410	SS304	SS304L	SS316	SS316L	SS410	SS410	SS304		1	
07	GASKET	SPIRAL WOUND SS304 + GRAFOIL		SPIRAL WOUND + GRAFOIL		SS316	SPIRAL WOUND SS304 + GRAFOIL		SP.W SS304+ GRAFOIL		1	
08	PACKING	GRAFOIL						GRAFOIL	GRAFOIL	AS REQ.		
09	BODY BOLT	ASTM A 193 Gr. B7						B16	L7			4
10	YOKE NUT	ASTM A 439 Gr. D2									1	
11	HANDWHEEL	MALLEABLE IRON									1	
12	HANDWHEEL NUT	CARBON STEEL									1	



DESIGN FEATURES
 FACE TO FACE AS PER MANUFACTURER'S STD.
 SOCKET WELD END AS PER ASME B 16.11.
 CLASS 9000 (2009)
 UNSPECIFIED MATERIAL CONFIRM AS PER API602/ISO15761/MANUFACTURER

DESIGN STD. ASME B 16.34

CLASS	2500		
SIZE / NB	1/2"/15	3/4"/20	1"/25
A	105	127	142
B(min.)	8	9	14
D	21.8	27.2	33.9
E(min.)	9.5	12.5	12.5
H	100	150	150
L1	165	230	242
L2	182	253	278
WT.IN KG(APPROX)	5	8	11
QTY Nos.	-	-	-

SPECIAL TRIM REQUIREMENTS		YES	NO
03	SEAT RING	STELLITED	
03&04	SEAT RING & PLUG	STELLITED	

MATERIAL GRADE	A105	F11	F22	F5	F304	F316	F316L	SS.410	SS.304	SS.316	SS.316L	LF2	L7
ASTM NO	A105	A182	A182	A182	A182	A182	A182	A276	A276	A276	A276	A350	A320

TEST STD.: API598/BSEN 12266-1

TEST PRESSURE		PSIG	Kg/cm ²
HYDROSTATIC	SHELL	9275	652
	SEAT BACK SEAT	6800	478
PNEUMATIC	SEAT	80	6

STEEL STRONG - APPROVED BY , ISO 9001-2008, (C) & (M) MARKING

API 6D-0315

ALL DIMENSIONS ARE IN MM UNLESS SPECIFIED

REV. 00
 Nos. 00
 Date: 01/07/2011

APPROVED BY C. S. Dec

CHECKED BY Pankaj

PREPARED BY Pankaj

FOR APPROVAL

FOR REFERENCE