

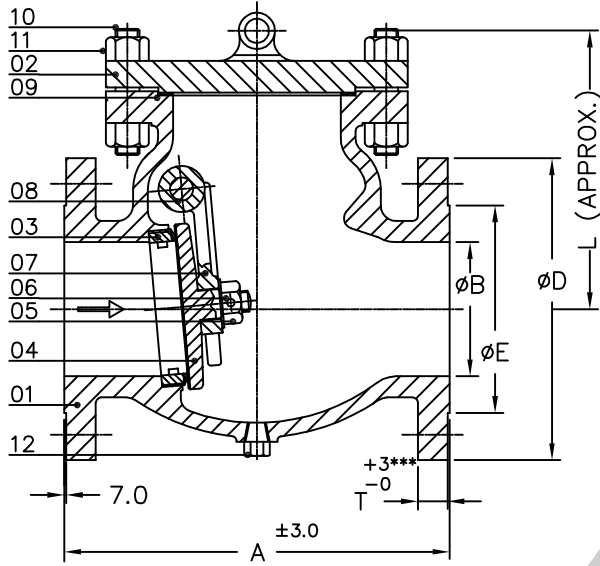
Customer: M/s.
 PROJECT: M/s.
 P.O.No.: _____ Date: _____
 W.O.No.: _____ Date: _____



CAST STEEL 600# SWING CHECK VALVE

DWG.NO.: SDSCV600_350-600 REV.: -00

PART NO.	PART NAME	MATERIAL								QTY.	
01	BODY	WCB	CF8	CF8M	CF3M	WC6	WC9	C5/C12	LCB	1	
02	COVER	WCB	CF8	CF8M	CF3M	WC6	WC9	C5/C12	LCB	1	
03	BODY SEAT	#	*	*	*	#	#	#	#	1	
04	DISC SEAT	#	CF8	CF8M	CF3M	#	#	#	CF8	1	
05	DISC NUT	SS.304	SS.304	SS.304	SS.304	SS.304	SS.304	SS.304	SS.304	1	
06	SPLIT PIN	SS.304	SS.304	SS.304	SS.304	SS.304	SS.304	SS.304	SS.304	1	
07	HINGE	WCB	CF8	CF8M	CF3M	WC6	WC9	C5/C12	LCB	1	
08	HINGE PIN	SS.410	SS.304	SS.316	SS.316L	SS.410	SS.410	SS.410	SS.304	1	
09	GASKET	SPIRAL WOUND SS 304 + GRAFOIL				SPIRAL WOUND SS 304 + GRAFOIL				SP. WOUND SS304+ GRAFOIL	1
10	BODY STUD	ASTM A 193 Gr. B7				ASTM A 193 Gr. 16				L7	AS REQ.
11	BODY STUD NUT	ASTM A 194 Gr. 2H				ASTM A 194 Gr. 7				7	AS REQ.
12	DRAIN PLUG **	A 105	SS			SS			SS	1	



NOTE: Face to face as per ASME B 16.10.(2009)
 Flanged end as per ASME B 16.5.(2009)
 (RF 125-250 AARH)
 * INTEGRAL BODY SEAT
 ** ON REQUEST.
 *** FOR T, SIZE 20" & ABOVE +5, -0
 # BODY MATERIAL + 13 % Cr. FACING.
 UNSPECIFIED MATERIAL CONFIRM AS PER BS1868/MANUFACTURER

DESIGN STD.: BS 1868

CLASS	600					
SIZE / NB	14"350	16"400	18"450	20"500	24"600	
A	889	991	1092	1194	1397	
B(min.)	327	375	419	464	559	
D	605	685	745	815	940	
E	412.8	469.9	533.4	584.2	692.2	
L	465	528	572	649	735	
T	69.9	76.2	82.6	88.9	101.6	
FLANGE DRILLING	B.C.	527	603.2	654	723.9	838.2
	DIA.	38.1	41.3	44.5	44.5	50.8
	Nos.	20	20	20	24	24
WT. IN KG.(APPROX.)	1026	1380	1840	2783	3623	
QTY Nos.	-	-	-	-	-	

SPECIAL TRIM REQUIREMENTS		YES	NO
03	BODY SEAT	STELLITED	
03&04	BODY SEAT & DISC SEAT	STELLITED	

MATERIAL GRADE	WCB	CF8	CF8M	CF3M	WC6	WC9	C5	C12	LCB	SS.410	SS.316	SS316L	L7
ASTM NO	A216	A351	A351	A351	A217	A217	A217	A217	A352	A276	A276	A276	A320

TEST STD.: API598/BSEN 12266-1

TEST PRESSURE		PSIG	Kg/cm ²
HYDROSTATIC	SHELL	2225	156
	SEAT	1650	116

STEEL STRONG - APPROVED BY , ISO 9001-2008, (C) & (S) MARKING

API 6D-0315

ALL DIMENSIONS ARE IN MM UNLESS SPECIFIED

REV. 00
 Nos. 00
 Date: 01/07/2011

APPROVED BY C. S. Dec

CHECKED BY Pankaj

PREPARED BY Pankaj

FOR APPROVAL

FOR REFERENCE