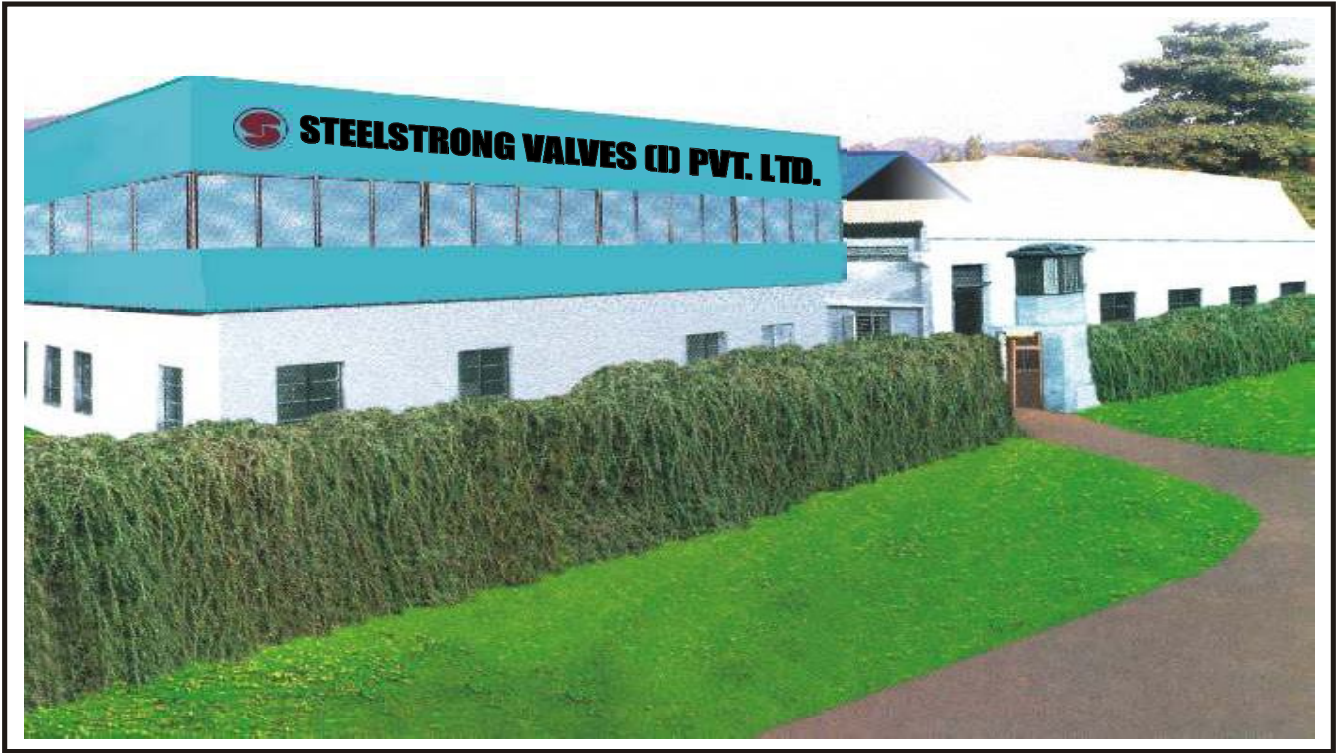




ALWAYS STRONG IN VALVE WORLD



STEELSTRONG



Head Office & Plant I



Plant II



STEELSTRONG is synonymous with the industrial valve industry for over two decades. We have three strategically located manufacturing plants in Maharashtra and Gujarat to cater to the growing demands of this industry.

As market leaders in industrial valves, we ensure and set trends for quality in the Indian sub-continent. In fact we are the first company to achieve Dual registration from API for ISO 9001 and API-6D Monogram Facilities. Today we have acquired four API licenses to manufacture valves and oil field equipments.

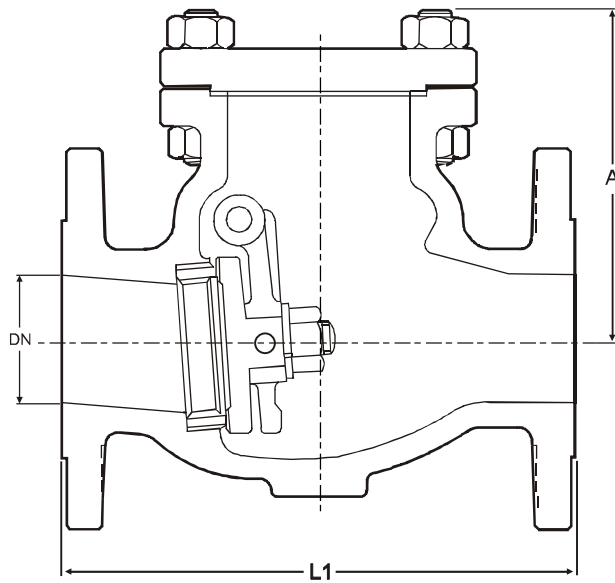
Our products are widely used and endorsed by the Oil and Gas industry, Power, Fertilizer, Petrochemical and Process industry in India and Overseas.

Our commitment to quality assures a growing customer base and our after sales support speaks volumes of our dedication towards you.

Yes, we continue to aim to be the best valve manufacturers of international standards.

RAMESH SHETTY

Chairman & Managing Director



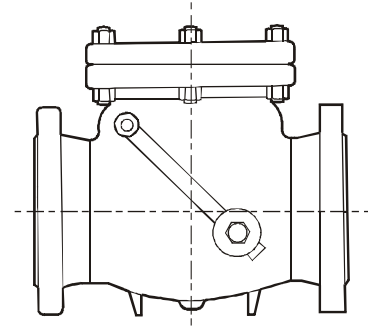
Class 150/ 300/ 600/ 900/ 1500/ 2500



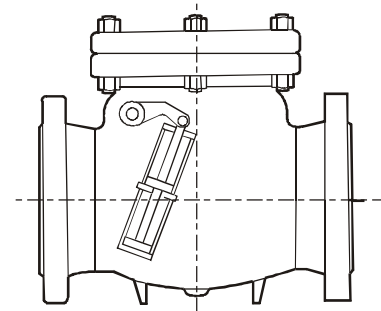
L2
Butt-Weld End



L3
RTJ



Dead Weight Non-Slam Arrangement



Hydraulic Non-Slam Arrangement

MATERIALS OF CONSTRUCTION

DESCRIPTION	WCB	LCB	CF 8M	WC6 / WC9 / C5
BODY (1)	ASTM A 216 Gr. WCB	ASTMA 352 Gr. LCB	ASTMA 351 Gr. CF8M	ASTMA 217 Gr. WC6 / WC9 / C5
SEAT RING (2, 3)	WCB + 13% Cr. STEEL/ A 217 Gr. CA 15	A 351 Gr. CF8	A 351 Gr. CF8M	A 217 Gr. CA 15
DISC (2, 3)	WCB + 13% Cr. STEEL/ A 217 Gr. CA 15	A 351 Gr. CF8	A 351 Gr. CF8M	A 217 Gr. CA 15
HINGE (2)	A 216 Gr. WCB	A 351 Gr. CF8	A 351 Gr. CF8M	A 217 Gr. CA 15
GASKET (2)	SPW SS + GRAPHITE	SW SS + GRAPHITE	SW SS + GRAPHITE	SW SS + GRAPHITE
COVER (1)	A 216 Gr. WCB	A 352 Gr. LCB	A 351 Gr. CF8M	A 217 Gr. WC6 / WC9 / C5
JOINT STUDS & NUTS	A 193 Gr. B7 & A 194 Gr. 2H	A 320 Gr. L7 & A 194 Gr. 4 / 7	A 193 Gr. B7 & A 194 Gr. 2H	A 193 Gr. B16 & A 194 Gr. 4 / 7
HINGE PIN (2)	A 276 TP 410	A 276 TP 304	A 276 TP 316	A 276 TP 410

Also Available

- (1) Casting in **WCC, LCC, CF8, CF3, CF8C, CN7M, C12, DUPLEX SS, HASTALLOY, MONEL**, also provided against requirement.
- (2) With different combination for WCB valves.
- (3) Special features like Stellite.



DESIGN FEATURES

- Design standard as per BS 1868 / API 6D
- ISO 15761 (½" to 1 ½" Flanged End)
- Flange details as per ASME B 16.5 / MSS SP 44 / B 16.47.
- Flanged end provided as per ASME B 16.5.
- Butt weld end dimension as per ASME B 16.25.
- Face to face dimension as per ASME B 16.10 / BS 2080.
- Gasket sealing design as per ASME B 16.20
- Testing Standard as per BSEN 12266 I / API 6D.
- Threaded seat ring provided up to 3".
- Seal welded seat rings provided for valves 4" & above.
- Disc design as per gravitational acceleration.
- Tongue & groove for spiral wound gasket design for 300#, 600#, 900#, 1500#, 2500# Gate Valves, against request.

SPECIAL FEATURES

- With Counter weight and Dash Pot arrangements
- With Stellite
- With IBR Certification
- With NACE MR 0175/ MR - 0103
- Lift type check valves will be supplied for the sizes ½" 1 ½" sizes. Rest of the sizes are in swing type design.

TOLERANCES :-

- A) Face to Face : +/- 2.0mm upto NPS 10" and smaller, +/- 3mm for NPS 12 & larger

FACE TO FACE / END-TO-END DIMENSIONS FOR NON-RETURN VALVES

(Class 150, 300, 600, 900, 1500 & 2500)

CLASS 150	NPS in	½" *	¾" *	1" *	1 ½" *	2"	2 ½"	3"	4"	6"	8"	10"	12"	14"	16"	18"	20"	24"
	DN mm	15	20	25	40	50	65	80	100	150	200	250	300	350	400	450	500	600
L1 (RF)	108	117.5	127	165.1	203	216	241	292	356	495	622	698	787	864	978	978	1295	
L2 (BWE)	-	-	-	-	203	216	241	292	356	495	622	698	787	864	978	978	1295	
L3 (RTJ)	-	-	-	-	216	229	254	305	369	508	635	711	800	877	991	991	1308	
WT. IN KG.	2.9	3.2	4.3	6.5	16	24	27	45	73	132	238	295	525	610	820	930	1275	

CLASS 300	NPS in	½" *	¾" *	1" *	1 ½" *	2"	2 ½"	3"	4"	6"	8"	10"	12"	14"	16"	18"	20"	24"
	DN mm	15	20	25	40	50	65	80	100	150	200	250	300	350	400	450	500	600
L1 (RF)	152.4	177.8	203.2	229	267	292	318	356	444	533	622	711	838	864	978	1016	1346	
L2 (BWE)	-	-	-	-	267	292	318	356	444	533	622	711	838	864	978	1016	1346	
L3 (RTJ)	-	-	-	-	283	308	334	372	460	549	638	727	854	880	994	1035	1368	
WT. IN KG.	7	8	12	19	18	35	48	67	128	240	335	549	670	830	990	1375	2230	

CLASS 600	NPS in	½" *	¾" *	1" *	1 ½" *	2"	2 ½"	3"	4"	6"	8"	10"	12"	14"	16"	18"	20"	24"
	DN mm	15	20	25	40	50	65	80	100	150	200	250	300	350	400	450	450	500
L1 (RF)	165.1	190.5	215.9	241.3	292	330	356	432	559	660	787	838	889	991	1092	1194	1397	
L2 (BWE)	-	-	-	-	292	330	356	432	559	660	787	838	889	991	1092	1092	1194	
L3 (RTJ)	-	-	-	-	295	333	359	435	562	663	790	841	892	994	1092	1095	1200	
WT. IN KG.	9.5	10.5	16.5	21	33	49	65	112	220	385	465	730	890	1090	990	1880	1970	

CLASS 900	NPS in	½" *	¾" *	1" *	1 ½" *	2"	2 ½"	3"	4"	6"	8"	10"	12"	14"	16"	18"	20"	24"
	DN mm	15	20	25	40	50	65	80	100	150	200	250	300	350	400	450	500	600
L1 (RF)	216	229	254	305	368	419	381	457	610	737	838	965	1029	1130	1219	1321	1549	
L2 (BWE)	216	229	254	305	368	419	381	457	610	737	838	965	1029	1130	1219	1321	1549	
L3 (RTJ)	-	-	-	-	371	422	384	460	613	740	841	968	1038	1140	1232	1334	1568	
WT. F/E	8	-	-	-	60	100	100	190	370	640	1140	1440	1740	2410	3240	3990	5790	
IN KG. BWE	-	-	-	-	40	77	75	150	290	510	940	1170	1440	2040	2090	3290	4490	

CLASS 1500	NPS in	½" *	¾" *	1" *	1 ½" *	2"	2 ½"	3"	4"	6"	8"	10"	12"	14"	16"	18"	20"	24"
	DN mm	15	20	25	40	50	65	80	100	150	200	250	300	350	400	450	500	600
L1 (RF)	216	229	254	305	368	419	470	546	705	832	991	1130	1257	1384	1537	1664	1943	
L2 (BWE)	216	229	254	305	368	419	470	546	705	832	991	1130	1257	1384	1537	1664	1943	
L3 (RTJ)	-	-	-	-	371	422	473	549	711	841	1000	1146	1276	1406	1559	1686	1971	
WT. F/E	8	14	17	28	60	100	160	290	685	1180	1840	2740	3590	4890	6590	8140	11740	
IN KG. BWE	-	-	-	-	40	75	125	235	550	955	1470	2170	2820	3890	5240	6440	8990	

CLASS 2500	NPS in	½" *	¾" *	1" *	1 ½" *	2"	2 ½"	3"	4"	6"	8"	10"	12"	14"	16"	18"	20"	24"
	DN mm	15	20	25	40	50	65	80	100	150	200	250	300	-	-	-	-	-
L1 (RF)	264	273	308	384	451	508	578	673	914	1022	1270	1422	-	-	-	-	-	
L2 (BWE)	264	273	308	384	451	508	578	673	914	1022	1270	1422	-	-	-	-	-	
L3 (RTJ)	-	-	-	387	454	514	584	683	927	1038	1292	1445	-	-	-	-	-	
WT. F/E	17	21	28	58	140	230	340	640	1440	2540	3940	5690	-	-	-	-	-	
IN KG. BWE	-	-	-	-	110	185	270	530	1190	2190	3140	4540	-	-	-	-	-	

* - Supplied only with Flanged end connections.
 Sizes not covered in above standards are as per manufacturer standard.



GATE VALVE



GATE VALVE



HIGH PRESSURE MOTORISED VALVE



'Y' TYPE STRAINER



SWING CHECK VALVE



FS GATE VALVE



GLOBE VALVE



**FORGED STEEL
GLOBE VALVE**



**FORGED STEEL
LIFT CHECK VALVE**

Head Office & Plant I
STEELSTRONG VALVES (I) PVT. LTD.

Plot No.R-241, TTC Industrial Area,
M.I.D.C., Rabale,
Navi Mumbai 400 701.
Phones: (91-22) 27695536 / 27690074
Fax: (91-22) 27695537
Email: steelstrongvalve@mtnl.net.in
adminsteelstrong@steelstrong.com
website: www.steelstrong.com

Plant II

Plot No. B/176, 186, 187,
Ajanta Industrial Estate,
Village: Vasna Iyava,
Taluka: Sanand
Ahmedabad - 382 170
Gujarat.
Phone: 02717-619100 / 619109 / 619115
Email: sanandworks@steelstrong.com

